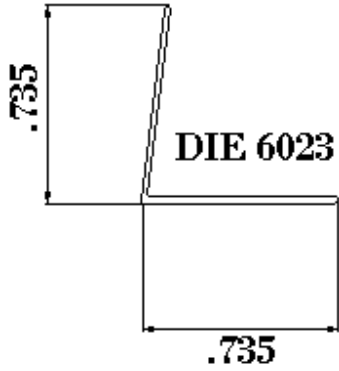
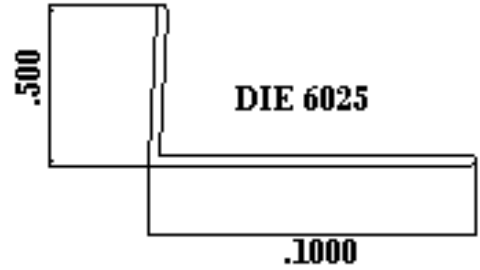


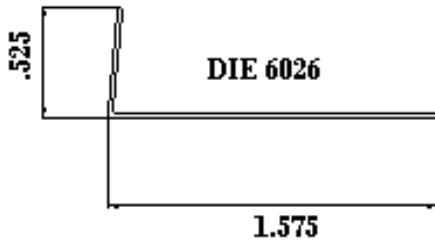
ANGLES



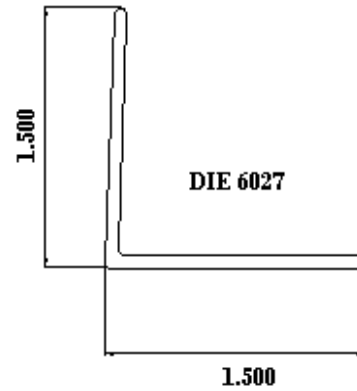
$\frac{3}{4}$ " X $\frac{3}{4}$ " RIGID ANGLE



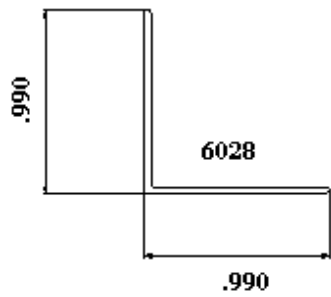
$\frac{1}{2}$ " X 1" RIGID ANGLE



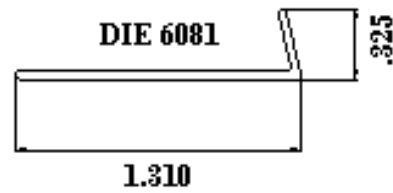
1.575" X .525" FLEX ANGLE



1 $\frac{1}{2}$ " X 1 $\frac{1}{2}$ " RIGID

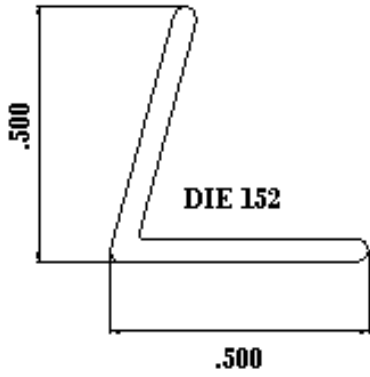


1" X 1" RIGID ANGLE

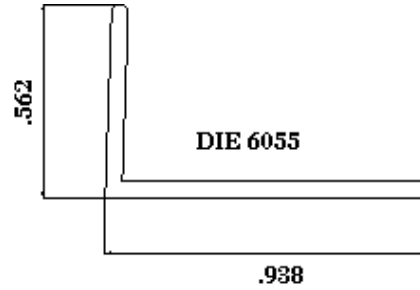


1.310" X .325" RIGID ANGLE

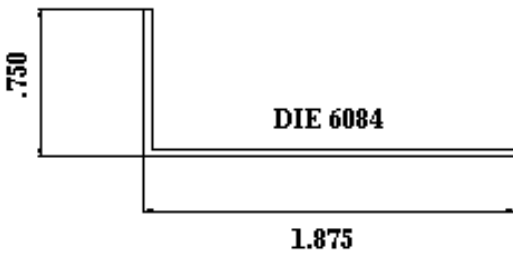
ANGLES



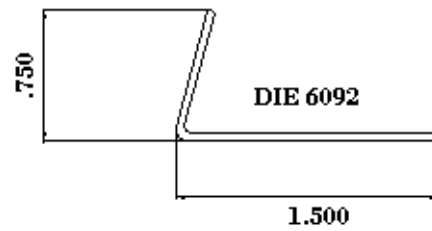
$\frac{1}{2}$ " X $\frac{1}{2}$ " RIGID ANGLE



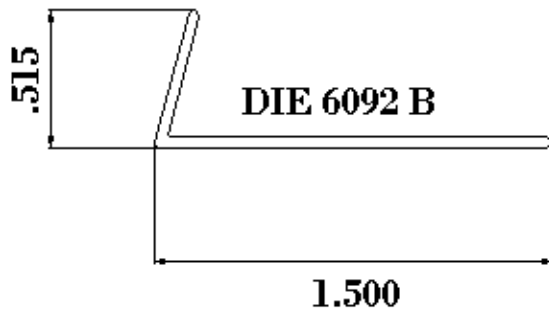
$\frac{9}{16}$ " X $\frac{15}{16}$ " FLEX ANGLE



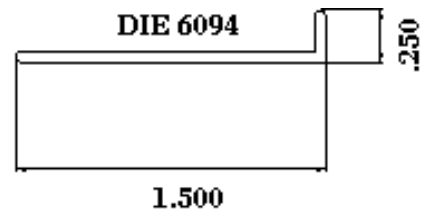
.750" X 1.875" RIGID ANGLE



$\frac{3}{4}$ " X 1 $\frac{1}{2}$ " RIGID ANGLE

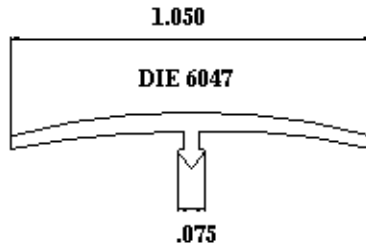


$\frac{1}{2}$ " X 1 $\frac{1}{2}$ " RIGID ANGLE

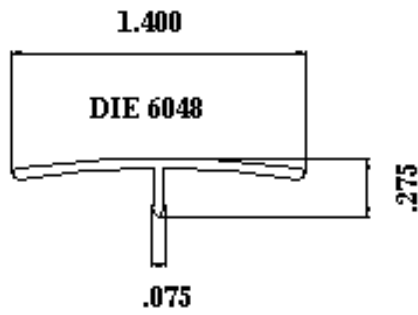


$\frac{1}{4}$ " X 1 $\frac{1}{2}$ " RIGID ANGLE

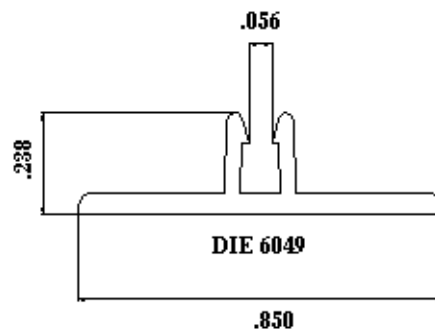
CEILING TRIM



1" CEILING TRIM

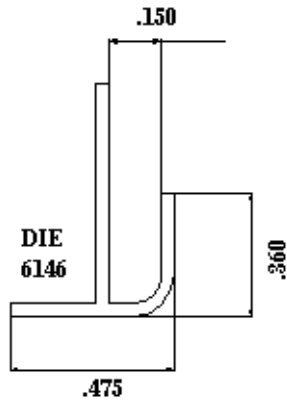


1.400" CEILING TRIM

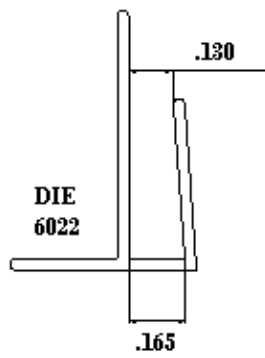


RIGID RETAINER

F-CHANNELS

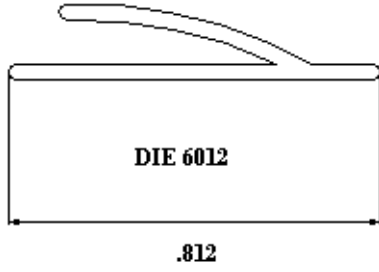


RADIUS F MOLDING

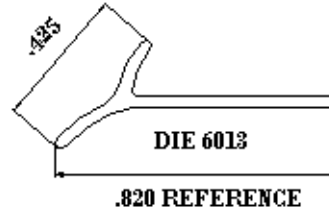


3/16" RIGID OUTSIDE CORNER

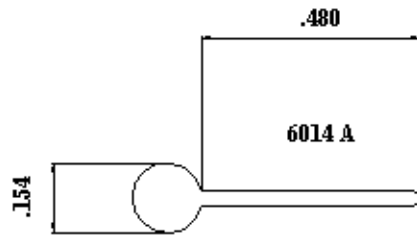
REVERSE COVES / GIMPS / BEAD WELTS



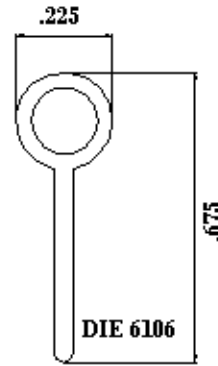
7/8" FLEXIBLE GIMP



FLEXIBLE REVERSE COVE

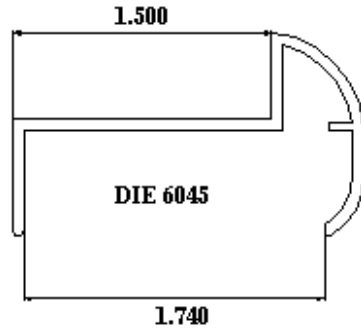


SOLID BEAD WELT

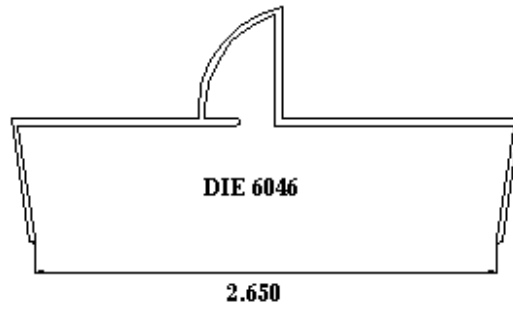


HOLLOW BEAD WELT

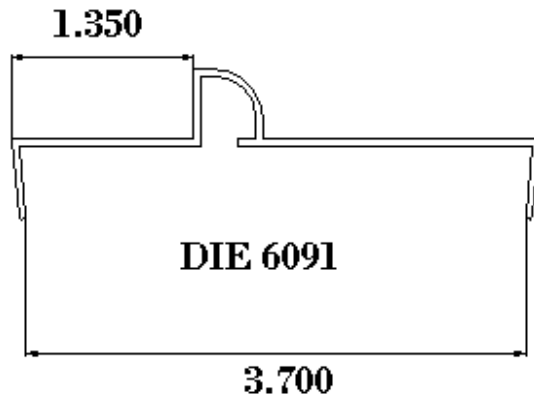
DOOR JAMBS



1 $\frac{3}{4}$ " RIGID DOOR JAMB

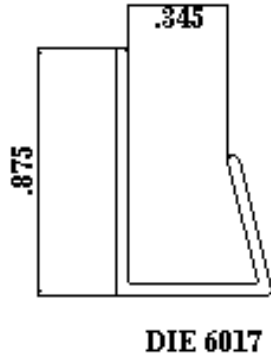


2 $\frac{3}{4}$ " RIGID DOOR JAMB

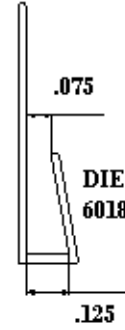


3 $\frac{3}{4}$ " DOOR JAMB

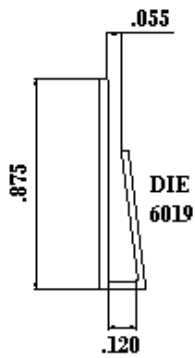
J-CHANNELS



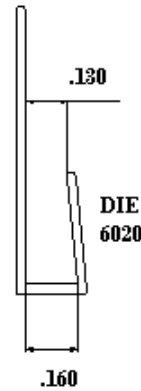
3/8" RIGID END CAP



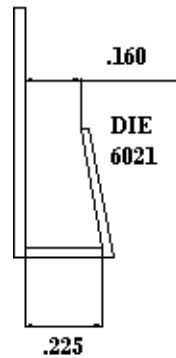
1/8" END CAP SHORT LEG



1/8" END CAP LONG LEG

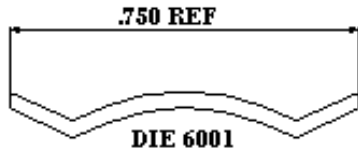


3/16" RIGID END CAP



1/4" RIGID END CAP

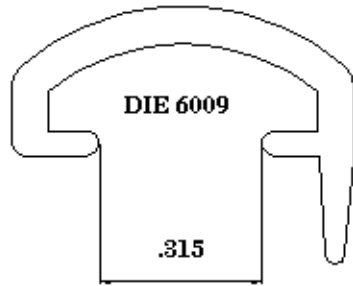
FLEXIBLE SCREW COVERS



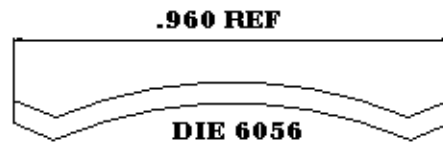
3/4" INSERT VINYL MOLDING



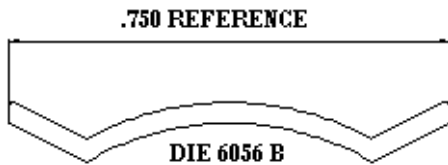
1" INSERT VINYL MOLDING



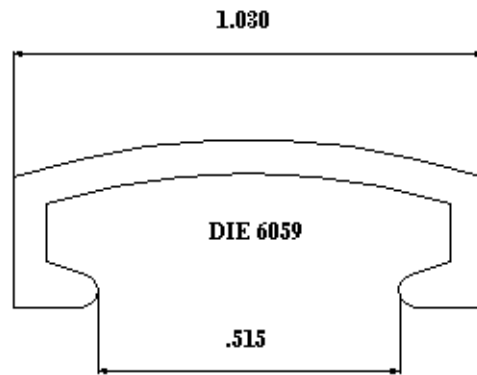
FLEXIBLE SCREW COVER



1" POLY INSERT



3/4" POLY INSERT



VINYL SIDE SCREW COVER

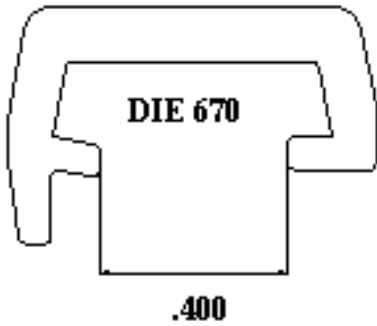
FLEXIBLE SCREW COVERS



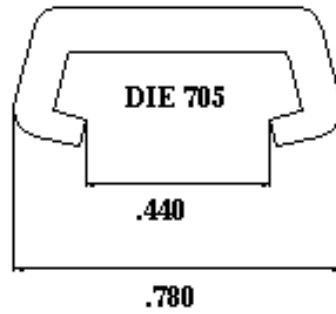
3/4" INSERT FILLED MATERIAL



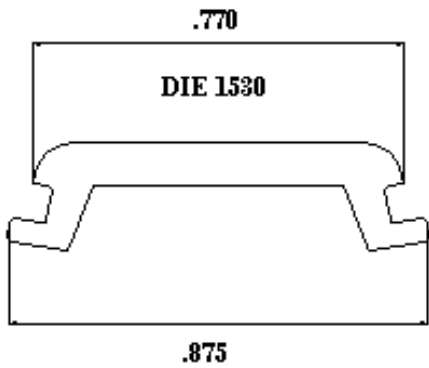
LARGE SCREW COVER W/LEG



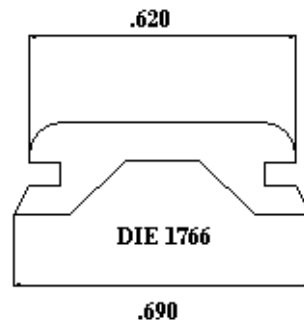
VINYL SCREW COVER



VINYL SCREW COVER

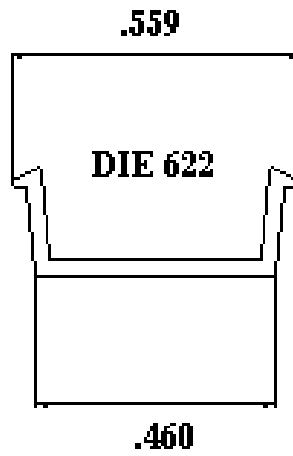


WINDOW INSERT



INSERT

RIGID SCREW CAP COVERS



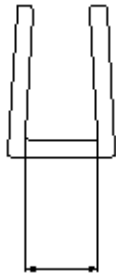
ANGLED LEG RIGID SCREW COVER



STRAIGHT LEG RIGID SCREW COVER

U-CHANNELS

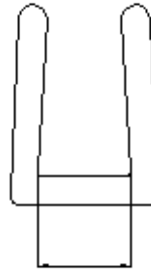
DIE 6030



.125

1/8" RIGID U-CHANNEL

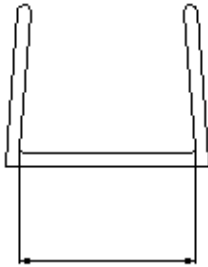
DIE 6031



.160

3/16" RIGID U-CHANNEL

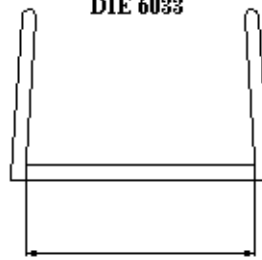
DIE 6032



.375

1/16" RIGID U-CHANNEL

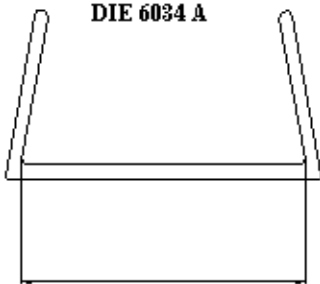
DIE 6033



.500

1/2" RIGID U-CHANNEL

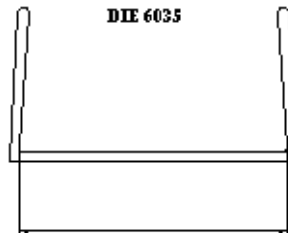
DIE 6034 A



.625

5/8" RIGID U-CHANNEL

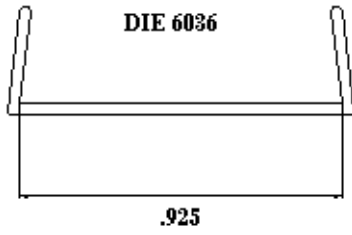
DIE 6035



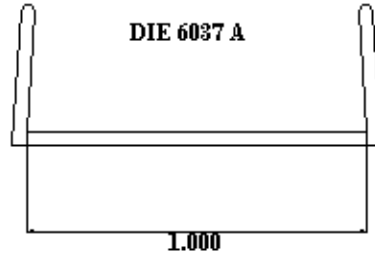
.750

3/4" RIGID U-CHANNEL

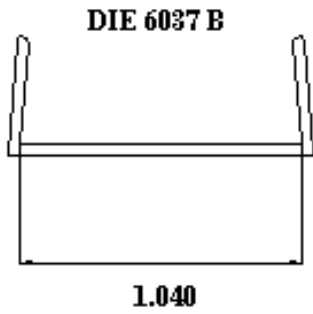
U-CHANNELS



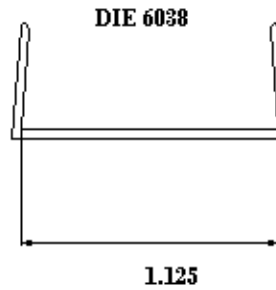
15/16" RIGID U-CHANNEL



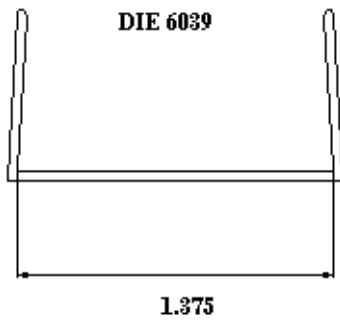
1" RIGID U-CHANNEL



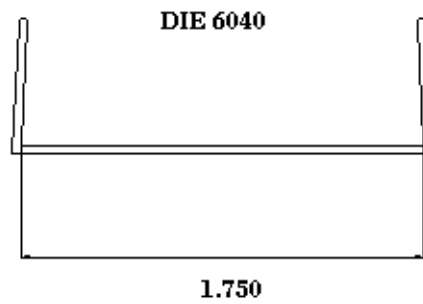
1.040" RIGID U-CHANNEL



1 1/8" RIGID U-CHANNEL

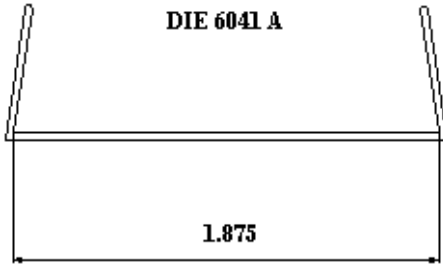


1 3/8" RIGID U-CHANNEL

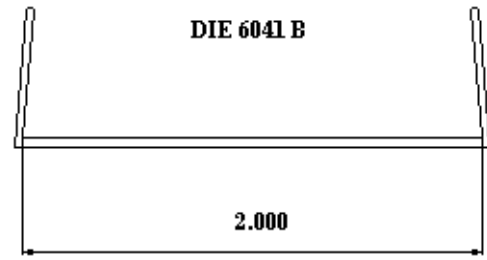


1 3/4" RIGID U-CHANNEL

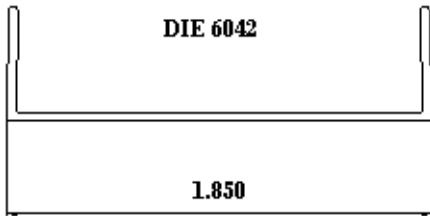
U-CHANNELS



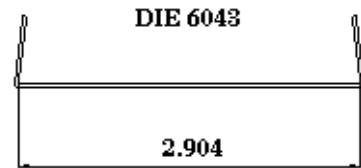
1 7/8" RIGID U-CHANNEL



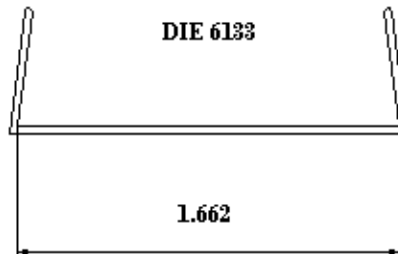
2" RIGID U-CHANNEL



1.850" RIGID U-CHANNEL

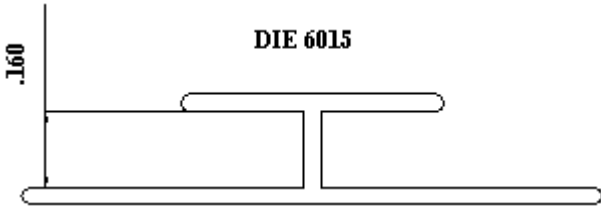


2 7/8" RIGID U-CHANNEL

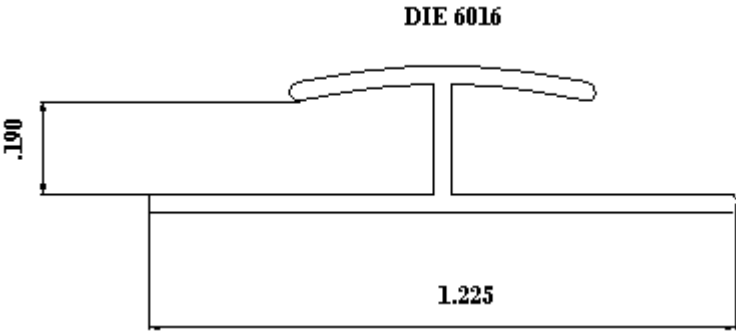


1 5/8" RIGID U-CHANNEL

RIGID DIVIDERS

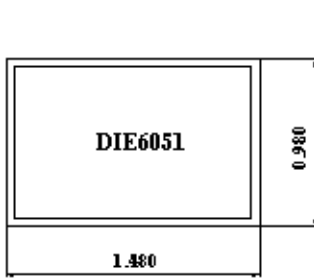


3/16" RIGID DIVIDER

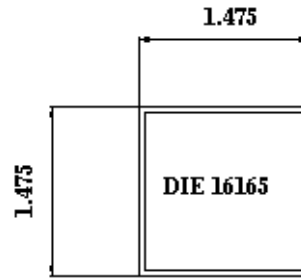


1/4" RIGID DIVIDER

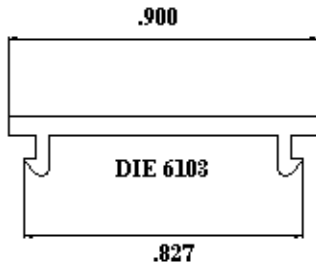
WIRE MANAGER



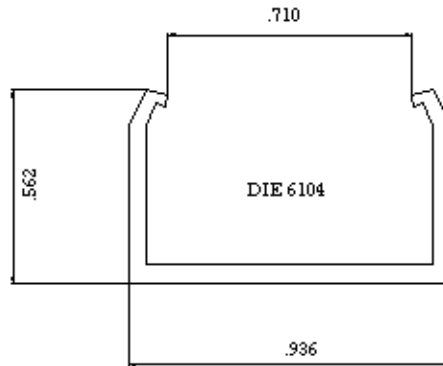
1 1/2" WIRE MANAGER



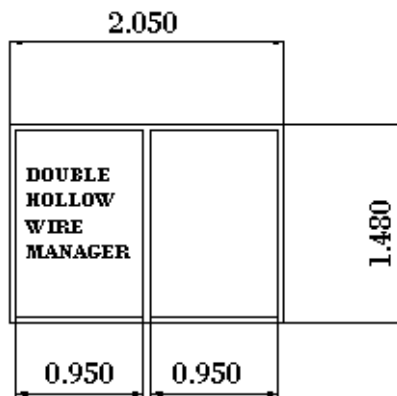
1 1/2" X 1 1/2" WIRE MANAGER



TOP WIRE MANAGER

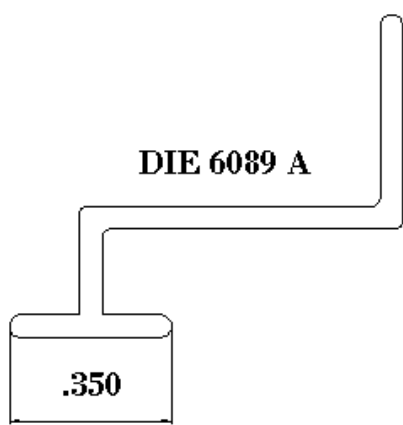


BOTTOM WIRE MANAGER



DOUBLE HOLLOW WIRE MANAGER

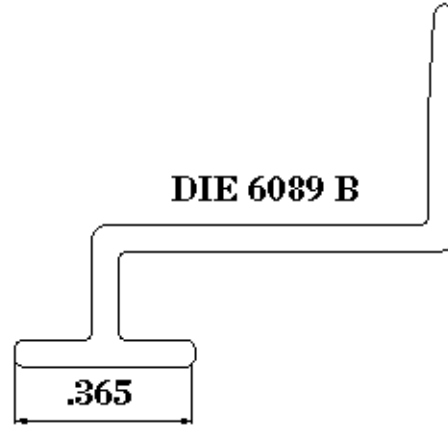
CURTAIN TRACKS



DIE 6089 A

.350

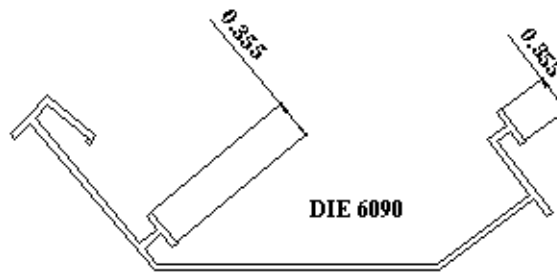
96" CURTAIN TRACK



DIE 6089 B

.365

96" CURTAIN TRACK



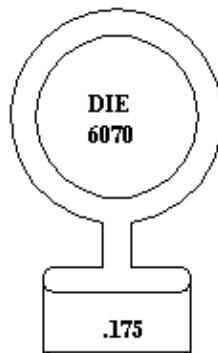
DIE 6090

LARGE CURTAIN TRACK

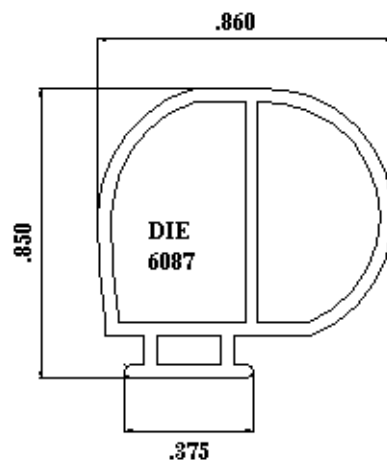
BULB SEAL



GRAY BULB SEAL

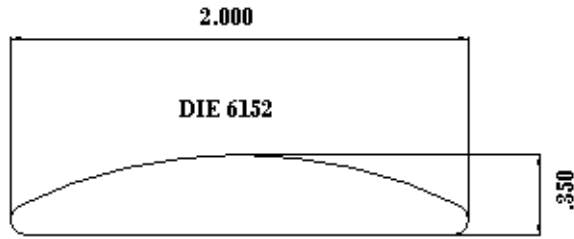


OUTER BULB SEAL

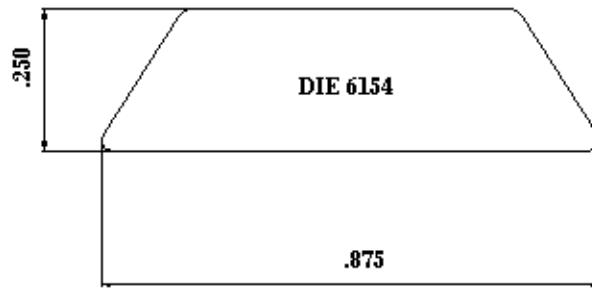


DOUBLE HOLLOW BULB SEAL

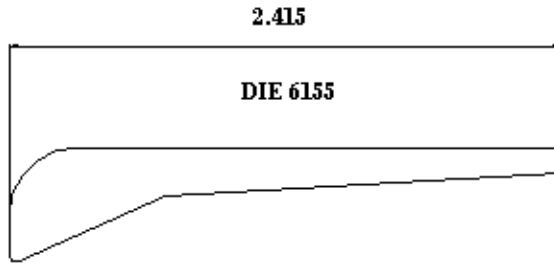
RAMP SLIDES



2" RAMP SLIDE BLACK DRILLED

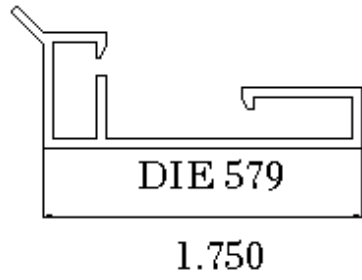


WEAR BAR WITH SCREW HOLES

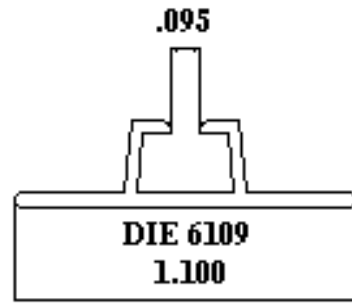


SPOON PROFILE WITH SCREW HOLES

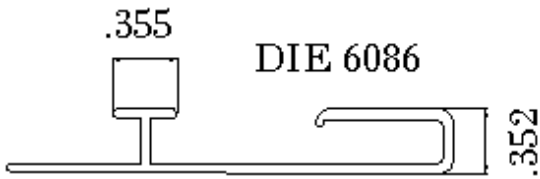
TENT CAMPERS



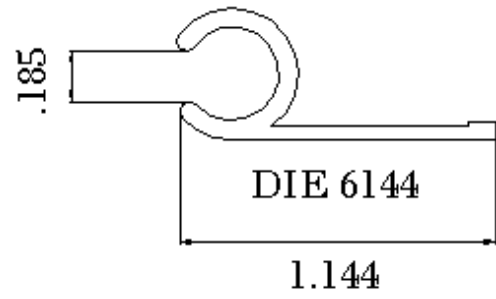
TENT RAIL



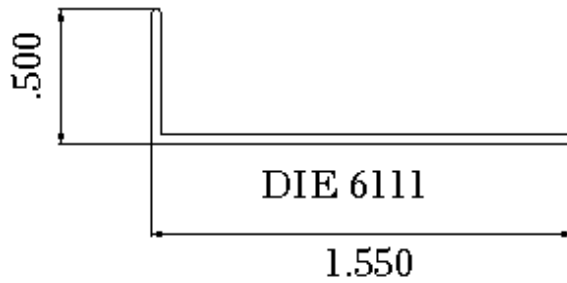
CENTER RUN CURTAIN TRACK



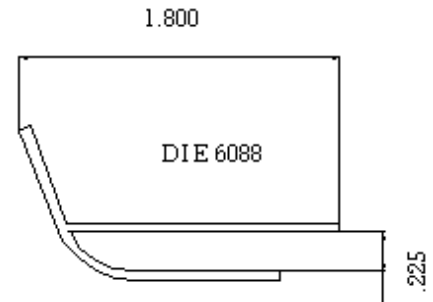
COMBO TENT TRACK



AWNING RAIL

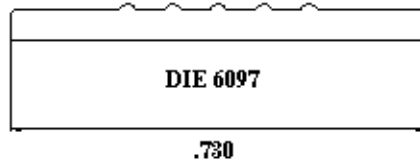


WIPER

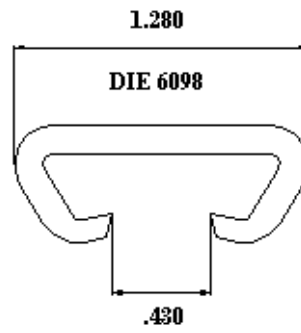


BOTTOM EDGE COVER

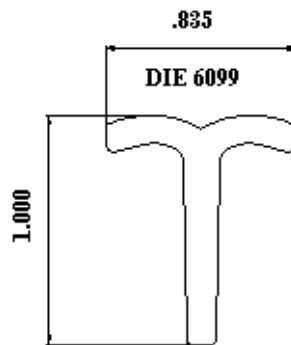
TENT CAMPERS



BUNK SLIDE

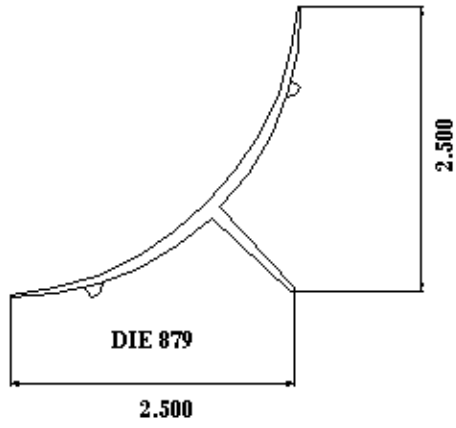


OUTER CHANNEL SLIDE



INNER CHANNEL SLIDE

CORNER BLOCKS



RADIUS BLOCK / ANY LENGTH